



# WIND PROOF ROLLER BLIND

– Installation Instruction –



After-Sale Service Hotline: (+31) (0) 548 212113

Address: Galvanistraat 13A, Rijssen, The Netherlands

Postal code: 7461JC

E-mail address: [info@lamella.nl](mailto:info@lamella.nl)

## **!** NOTICE:

- Customers and installers must follow the instructions for construction to ensure that this product can be installed correctly. If the installer uses an incorrect installation method to cause the product to fall, the personal safety and other consequences shall be borne by the customer and the installer.
- After unpacking, please confirm whether the type and quantity of parts in the box are consistent with the instructions.
- Before starting construction, be sure to check whether each part is intact. If there is any damage, please contact the manufacturer in time. If you insist on installing the damaged parts, the personal injury caused by the fall of the product will be borne by the customer and the installer.

PRODUCT NAME: WIND PROOF ROLLER BLIND

MAIN MATERIAL: ALUMINUM

## To installers:

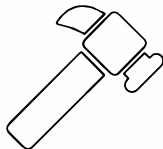
Thank you for choosing our products.

Before installation, please read this manual carefully, and install the order and method specified in this manual for construction. The company is not responsible for accidents caused by incorrect installation, so please construct correctly. In addition, please refer to the relevant installation manual for details about the motor and its wiring.

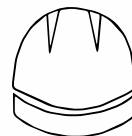
## Tools Needed:



Gloves



Hammer



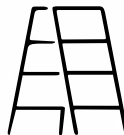
Helmet



Tape Measure



Electric Drill



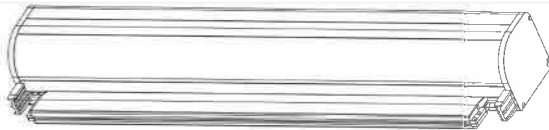


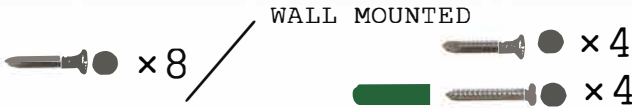
Ladder








Electronic level  
measuring instrument

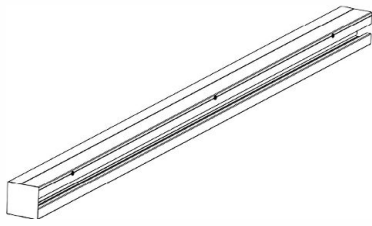
**Package Instruction:** One box, mainly divided into three parts, please check the profile according to the accessories table for details.

### Large parts accessories list

NAME	NO.	IMAGE	QTY
Box	<b>A</b>		1
Side Rail	<b>B1</b>		1
Side Rail	<b>B2</b>		1
screws	<b>g</b>	 WALL MOUNTED	1

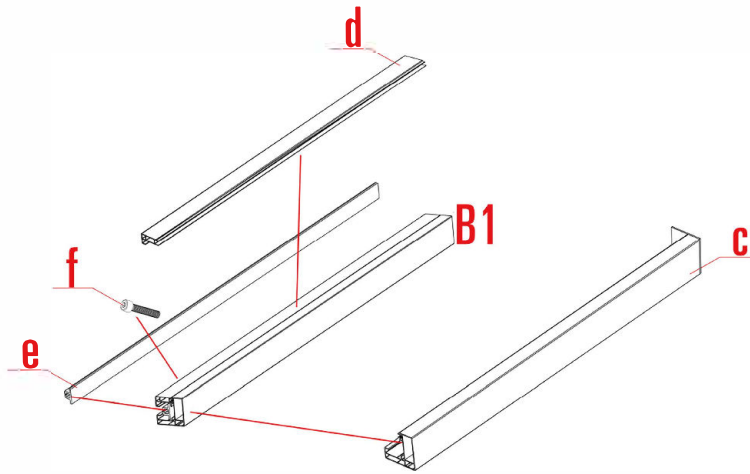
### Side rail decomposition

	NAME	NO	IMAGE	QTY
 Side Rail <b>B1 B2</b>	Lower rail	<b>c</b>		2
	Upper rail	<b>d</b>		2
	Adhesive strips	<b>e</b>		2
	screws	<b>f</b>		8

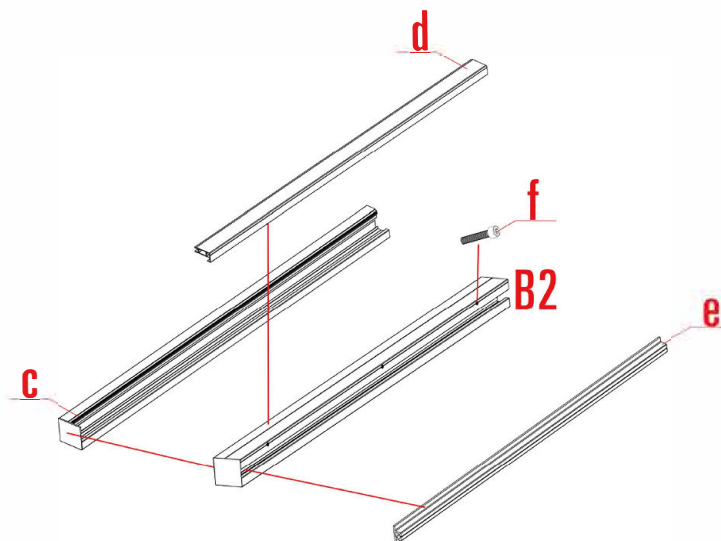


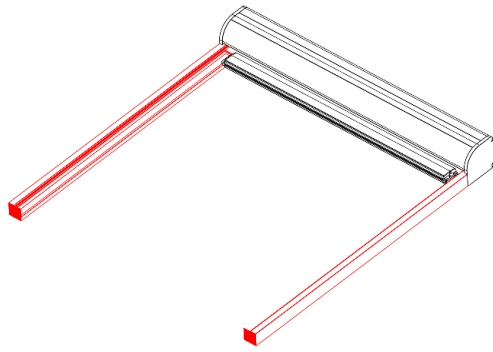
Disassemble the side rails  
**B1, B2**

1



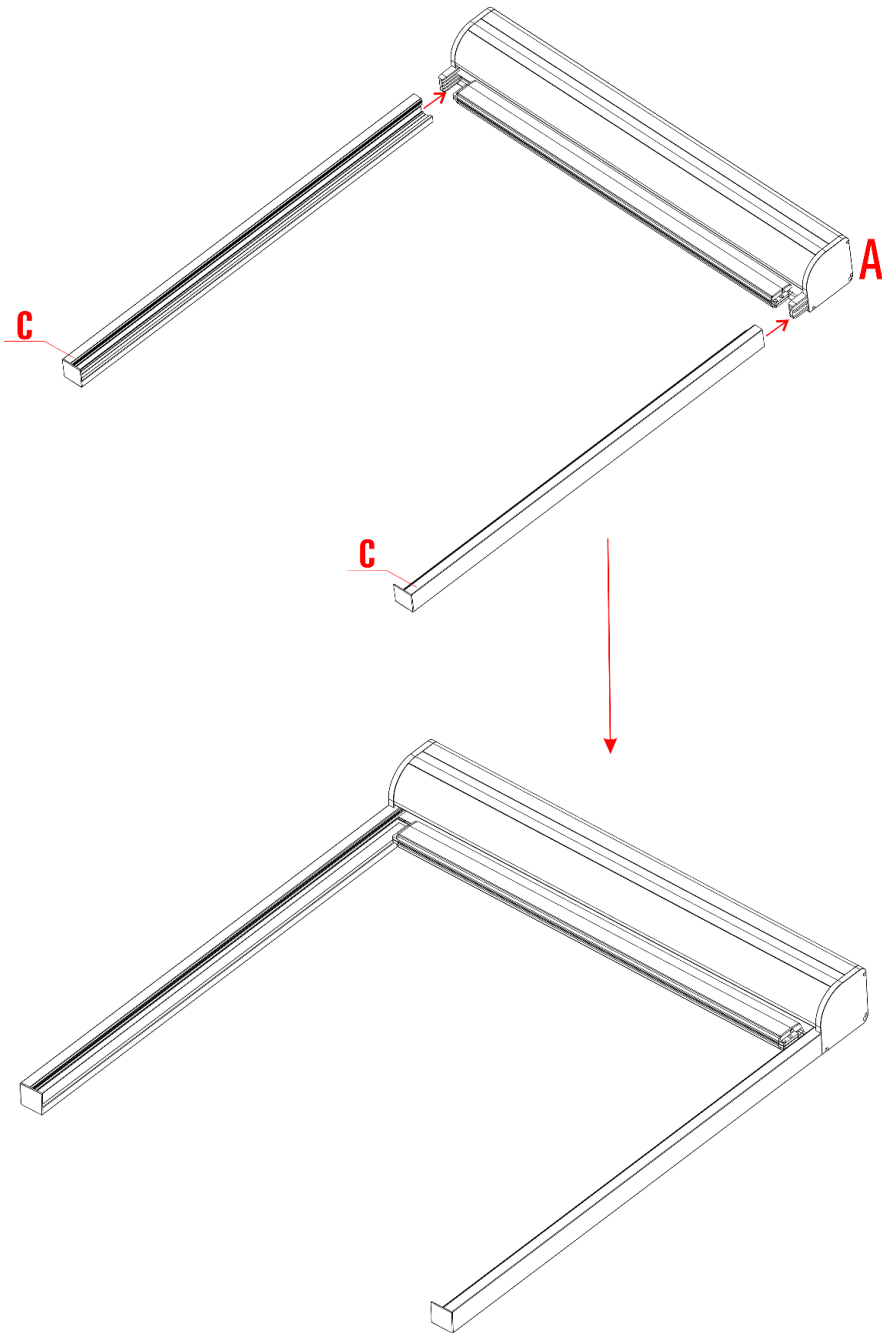
Firstly twist out **f bolts** and then disassemble the side rails.  
Be careful not to disassemble the sponge that is stuck to the adhesive strip.





Install the lower rail

2

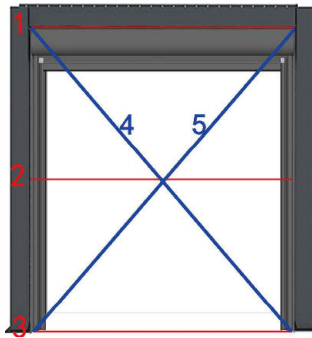




### Horizontal and vertical measurement

Preparation: Level measuring instrument

3

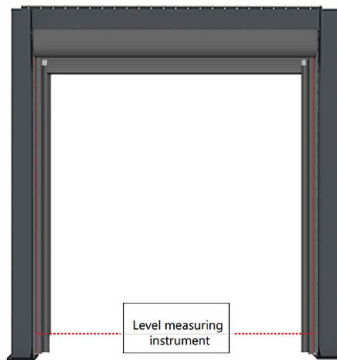


Measure whether the dimensions **1, 2, and 3** are the same.

Measure **4, 5,** and whether the diagonal dimensions are the same.

**!** The difference between 1, 2 and 3 must be less than or equal to 5mm.

4

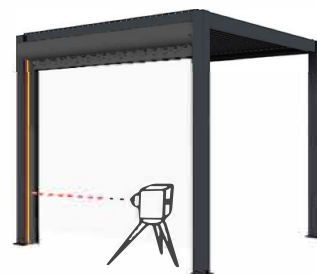
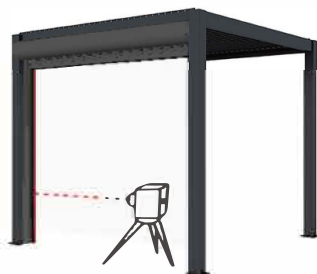


Use a level measuring instrument to measure whether the two sides of the wind-proof roller blind are vertical and whether the side rails on both sides are parallel.

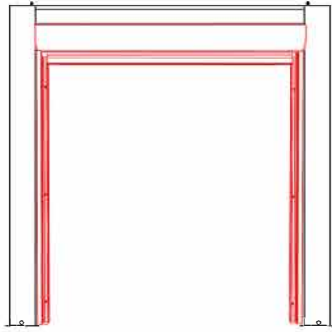
5

Use a level gauge to measure the side. Check whether the inner side of the wind-proof roller blind is vertical.

**!** When there is an imbalance between the edge of the wind-proof roller shutter and the level line, the wind-proof roller shutter should be adjusted in time, and then the wall should be drilled and installed.



If you ignore the measurement difference and exceed the allowable value, the following situations may occur during installation:  
 1. The shutter is stuck (please check whether the height of the left and right rails are the same, or whether the width of the wall is different from top to bottom)  
 2. The fabric is not flat (please measure again whether the diagonals of the wall are consistent and whether they are on the same plane)




Preparation of fixed windproof roller blind:

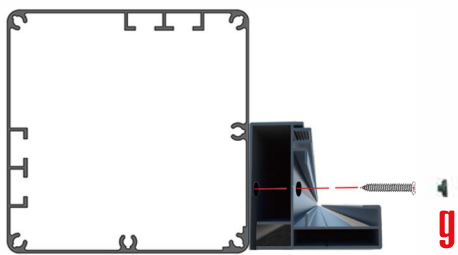
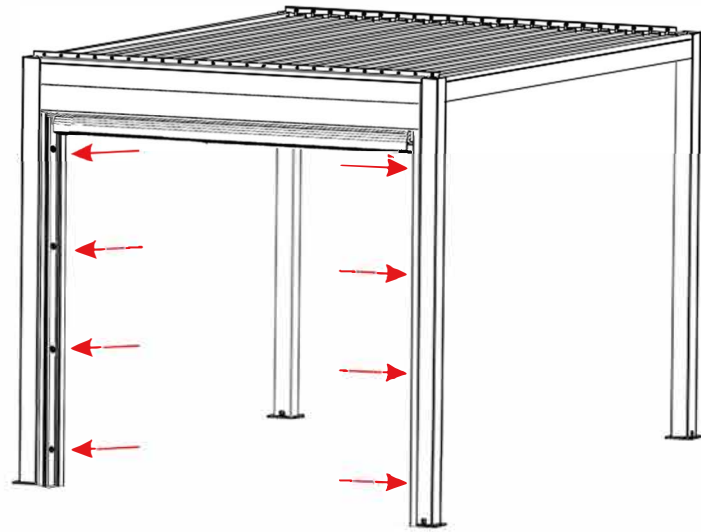
**9**  X8

WALL MOUNTED:

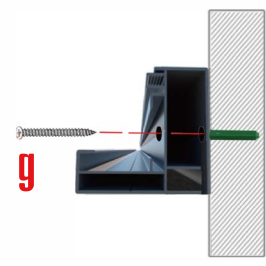
 x 4

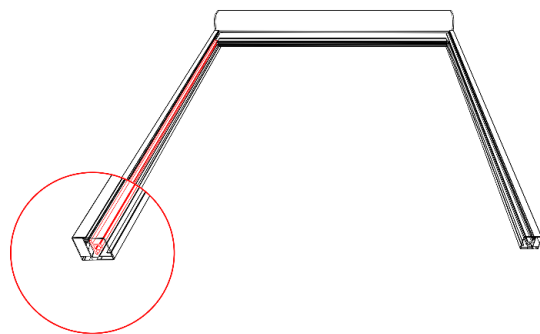
 x 4  


**6**  Pay attention to distinguish the installation method:



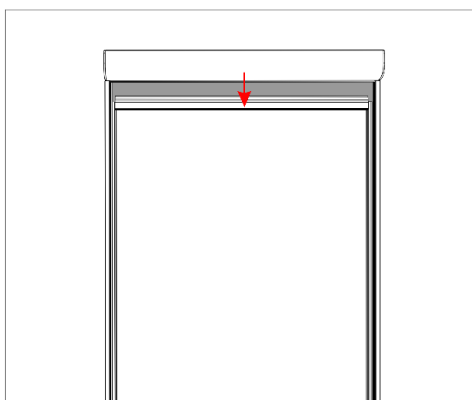
WALL MOUNTED:



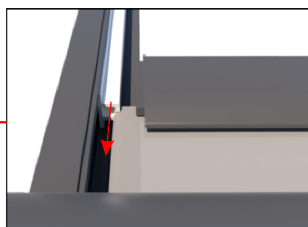


Wear rubber strips

7

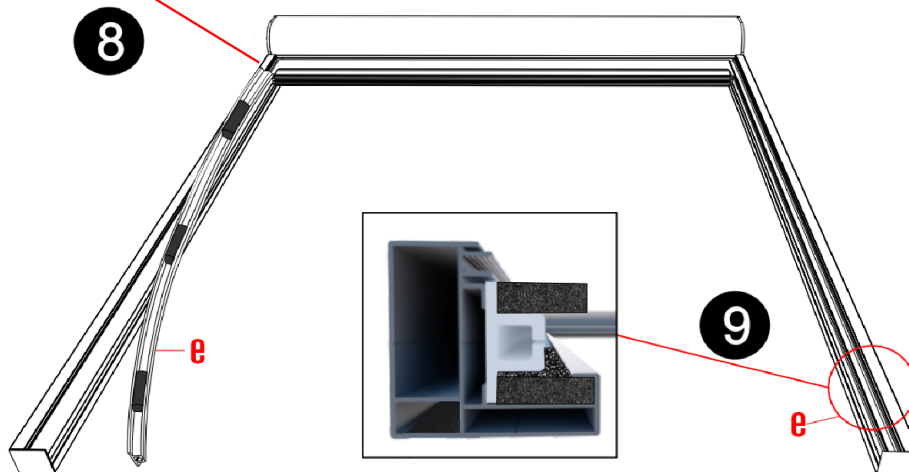


**!** Turn on the electricity first, and put the fabric down a little bit to make it easier to put on the rubber strips.



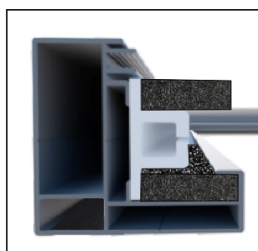
Put on the rubber strips

8

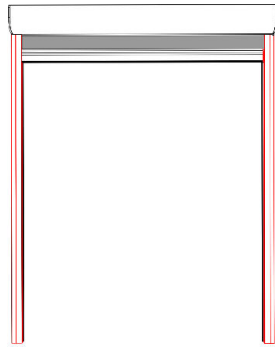


9

Place the rubber strips on both sides




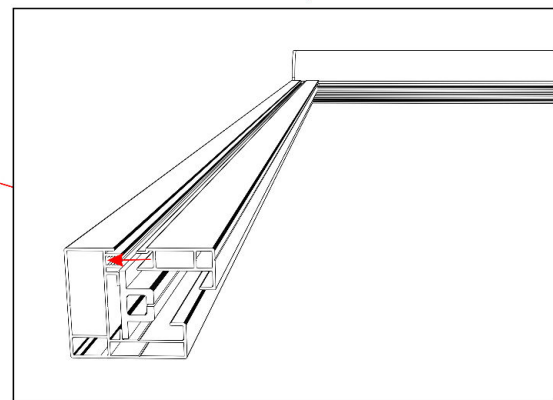
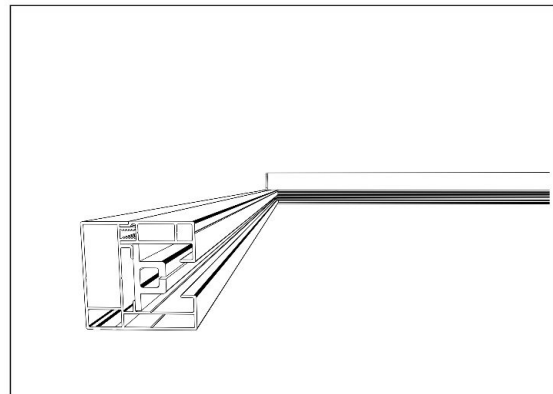
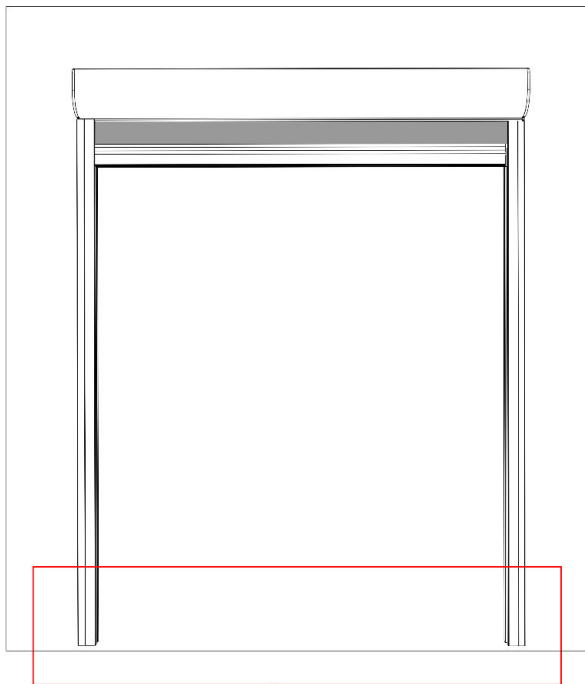
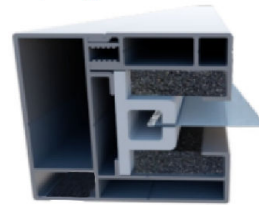


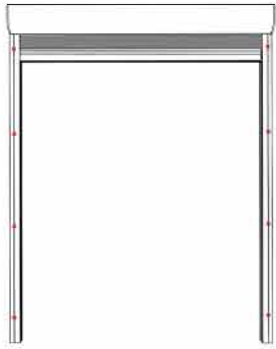


Install the upper rail

10

 Please check the position of the sponge as shown in the picture





Fixed upper rail

Prepare the screws:



**11** The installation is complete

